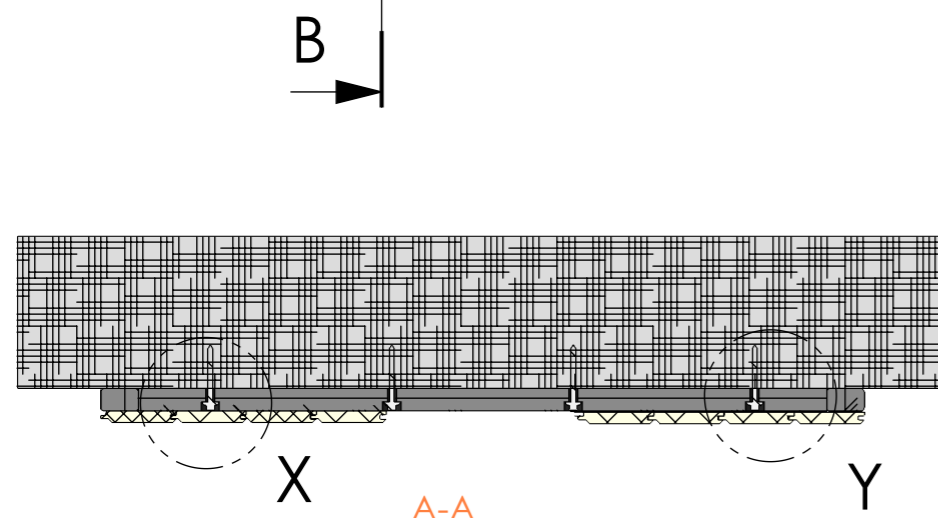
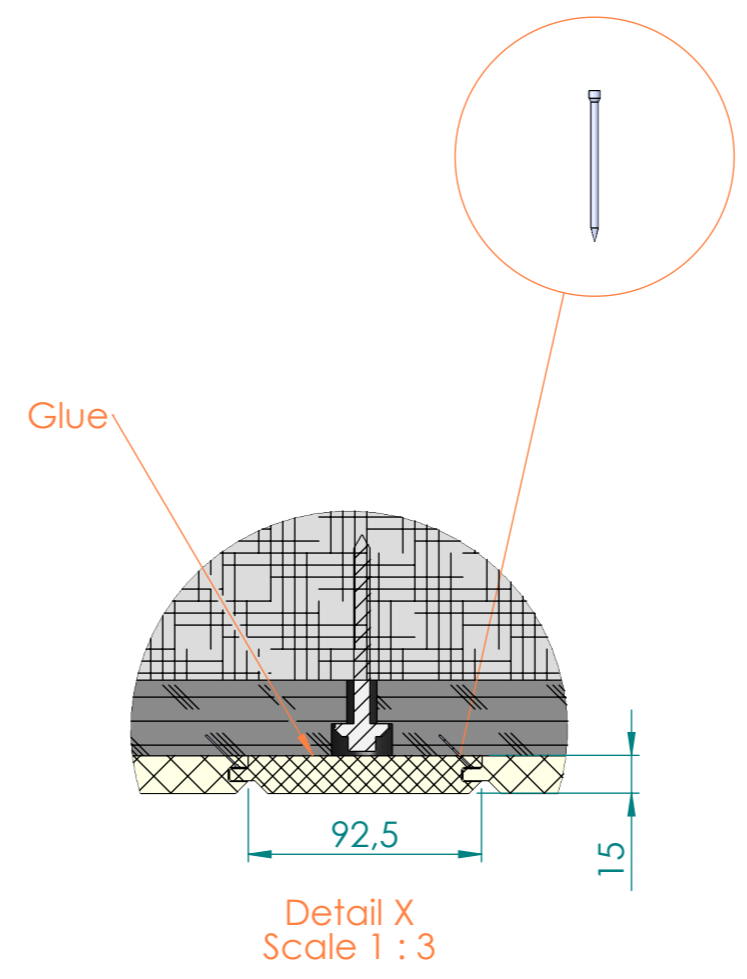


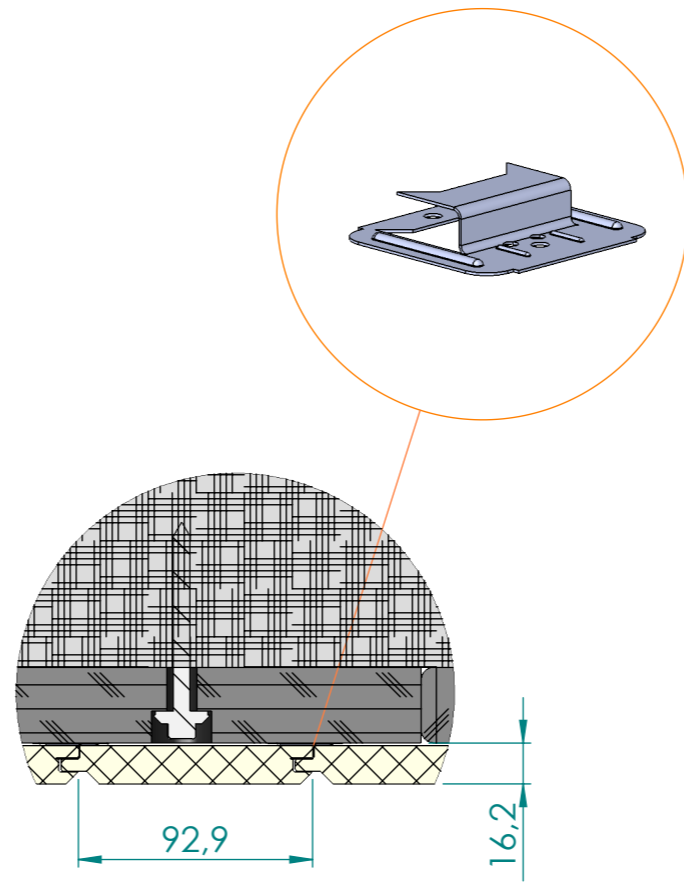
B-B



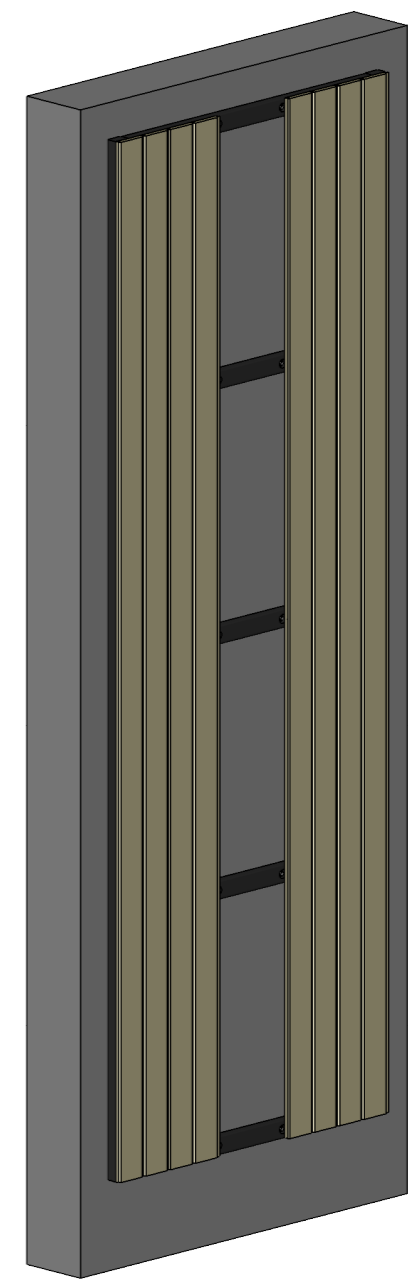
A-A
Scale 1 : 10



Detail X
Scale 1 : 3



Detail Y
Scale 1 : 3



Temperature of planks	per m
0°C	5 mm
12°C	4 mm
24°C	3 mm
36°C	2 mm
48°C	1 mm

TGF2	11 m/m ²
DBJ1	±4,5m/m ²
	±12,5kg/m ²